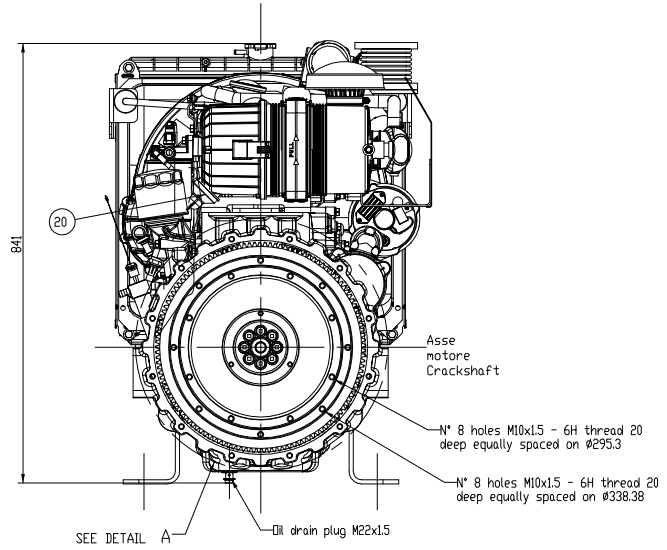
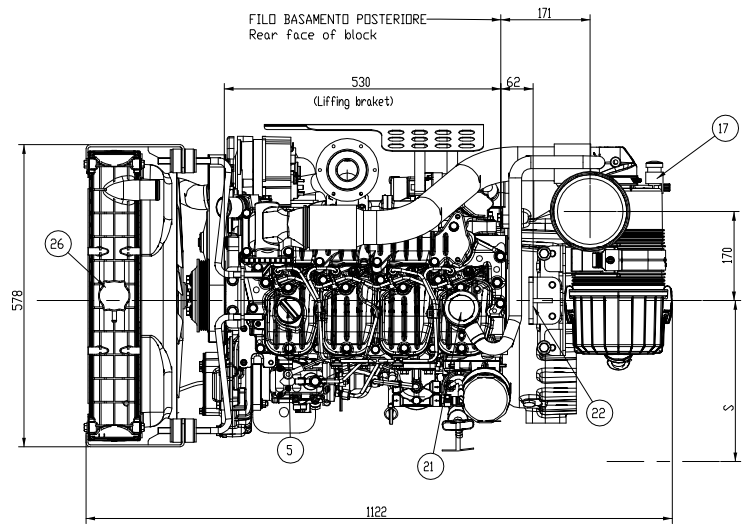
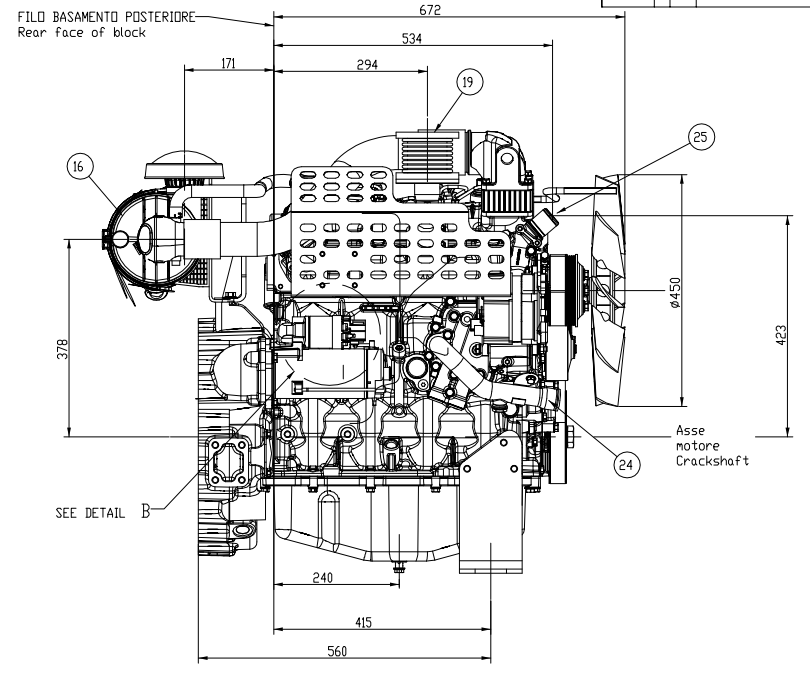
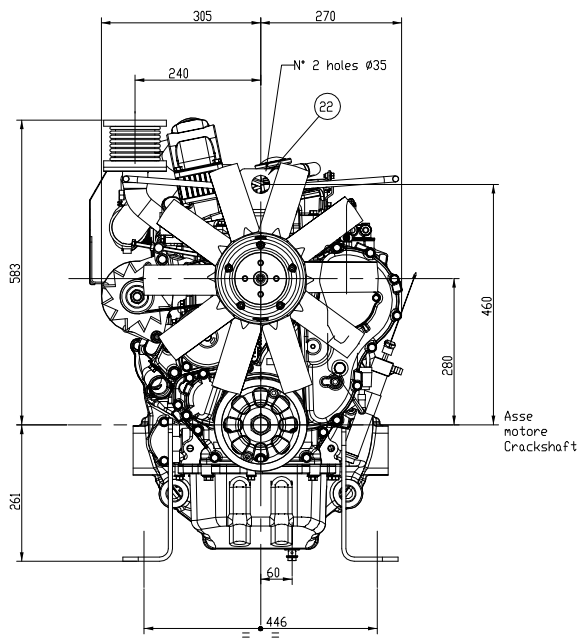
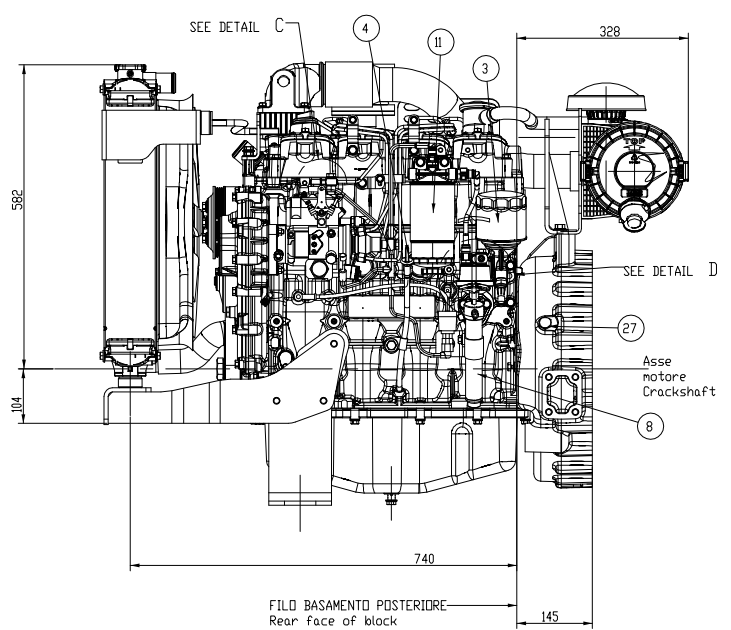
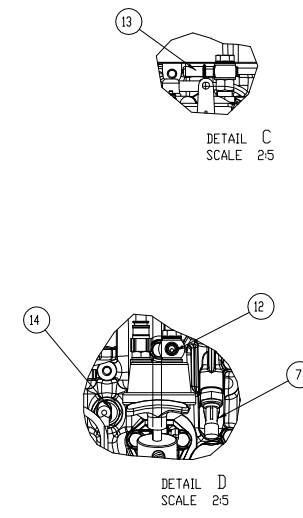
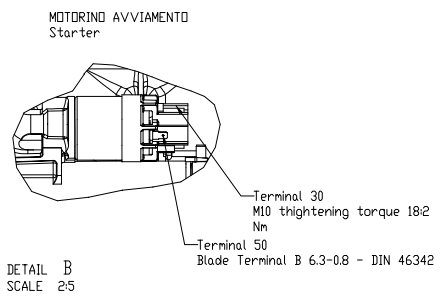
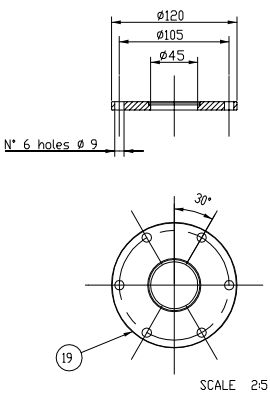
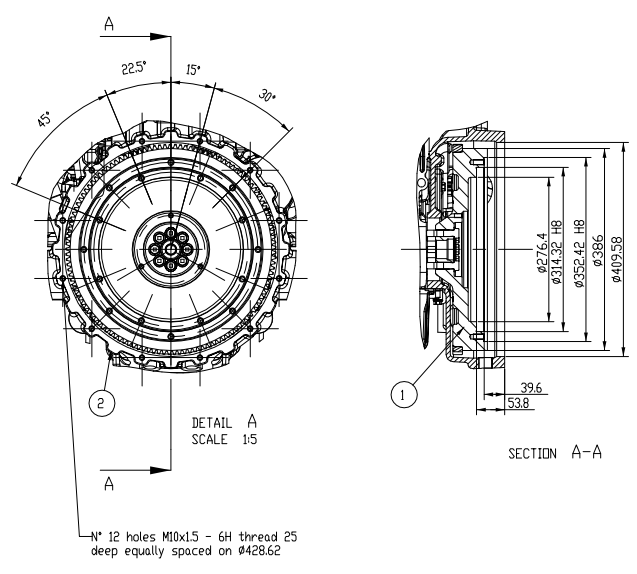


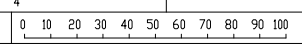
DWG STATUS		CHANGE DESCRIPTION	ENGINEERING CHANGE	OK	STP
DATE	ST	REV			
20/05/98	10		RELEASED		



1	VALVOLA 10" + 115"	FLYWHEEL
2	CARTER COPRIVALVOLA -SAE 3-	FLYWHEEL HOUSING
3	FILTRO OLIO	OIL FILTER
4	ASTA VERIFICA LIVELLO OLIO	ENGINE OIL DIPSTICK
5	TAPPO INTRODUZIONE OLIO	ENGINE OIL FILLER CAP
7	SENSORE PRESSIONE OLIO M14x1.5	OIL PRESSURE SENSOR
8	POMPA SVUOTAMENTO OLIO	DRAIN OIL PUMP
11	FILTRO COMBUSTIBILE	FUEL FILTER
12	MANDATA COMBUSTIBILE SAE J2044	INLET FUEL
13	RITORNO COMBUSTIBILE SAE J2044	EXHAUST FUEL
14	SENSORE TEMPERATURA ACQUA KSB 1/2_4 PTF	WATER TEMPERATURE SENSOR KSB
16	FILTRO ASPIRAZIONE	AIR FILTER
17	SENSORE FILTRO ASPIRAZIONE	AIR FILTER SENSOR
19	USCITA GAS SCARICO	EXHAUST OUTLET
20	VALVOLA DI SCARICO POLVERI	EXTERNAL VALVE
21	SFIATO MOTORE	BLOW-BY FILTER
24	INGRESSO ACQUA Ø41	WATER INLET
25	USCITA ACQUA Ø38.5	WATER OUTLET
26	TAPPO INTRODUZIONE ACQUA	COOLANT FILLING & PRESSURE
22	GANCI SOLLEVAMENTO MOTORE	ENGINE EYE HOOK
27	TRASMETTITORE DI IMPULSI 5/8_18UNF	SPEED SENSOR (PICK-UP)



THIS DOCUMENT IS IN ACCORDANCE WITH ISO GEOMETRICAL PRODUCT SPECIFICATION (GPS) - ISO/TP 14638 - 1995 MASTERPLAN		CLEANNESS TARGETS: FPT-MAN-NE50	
FOR FURTHER DRAFTING STANDARDS SEE FPT 1500		FOR GENERAL TOLERANCE SEE FPT STD 1400	
CONFIDENTIAL INFORMATION PRODUCT LIABILITY & PROTECTION NOTICE TO IVECO			
WEIGHT (kg)	RAW No.	ITEM CODE	LEADER CODE
0.000		D	143340
SURFACES FPT STD 1400		WORKPIECE EDGES FPT STD 1400	
DENOMINATION		SIGNATURE	
F32MNA85.00		DRAFTER Gallo CBE	
TECHNICAL CODE		CHECKER Callini	
54-9754		SUPERVISOR Cucchi	
DRAWING NAME		LABORATORY	
DRAWING-ENGINE COMPLETE		MANUFACT. ENG.	
(32 KW 1500rpm)			
SHEET NUMBER		DRAWING NUMBER	
1 / 1		8050962	
		DWG STATUS	
		ST REV	
		00	
		SIZE	
		A0	



FPT FORWARD MOTORS PRODUCT ENGINEERING