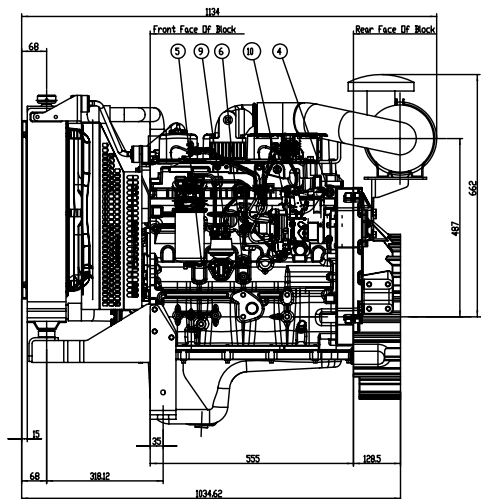
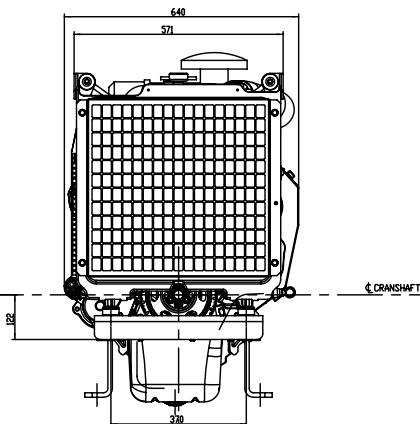


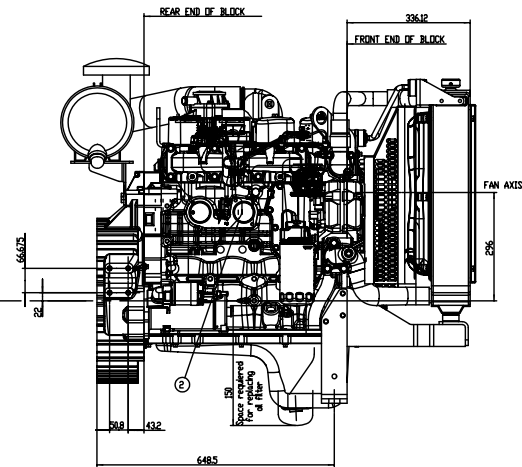
LEFT VIEW



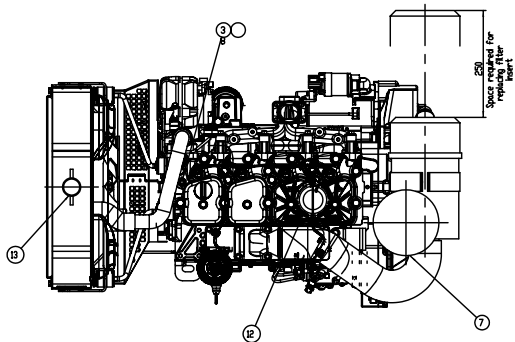
FRONT VIEW



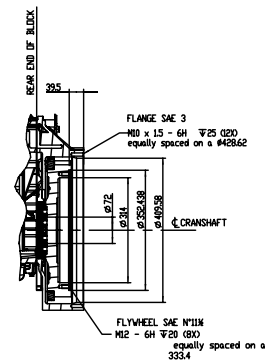
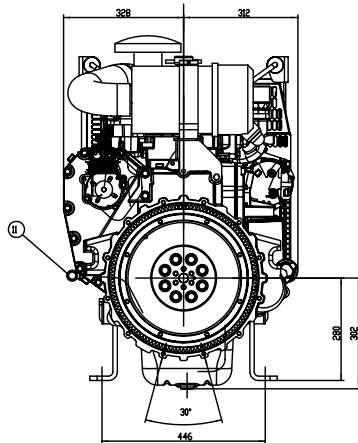
RIGHT VIEW



TOP VIEW



REAR VIEW



13	Water filter cap	
12	Oil filter cap	
11	Oil dipstick	
10	PIPE#8 Fuel return	
9	PIPE#10 Fuel inlet	
8	TATA#TITA High water temperature - Water temperature	
7	TIFA Dust load indicator	
6	TBPD Low oil pressure	
5	TPD Oil pressure	
4	TS Water heater resistor switch	
3	TATA High water temperature	
2	RS Water heater resistor	
1	TBLA Low water level sensor	
Pos.	Des.	Demonstration

NOTE:
Dry Weight 480 Kg

CAD DRAWING
HANDLING ON CAD SYSTEM ONLY

Technical drawing header and metadata including drawing number (15), scale (1:1), and project information for IVECO NEF45AM1 engine for Genset.

Project	NEF45AM1	Part	Block	Rev	1
Author	...	Checked	...	Approved	...
Part Name	NEF45AM1				
Part Description	IVECO SpA				
Part Number	503112723 D A 62-9710				